



## Cooling Fan CS Series

**Description** The CS series cooling fan is a yellow, mechanically stable polypropylene injection-moulded part. It is available in various installation sizes with a fixed inner diameter. It is possible to insert bushes with varying inner diameters into the cooling fan for various shaft diameters

---

**Properties** Due to the ingenious construction, it is possible to adapt just a few cooling fan sizes to a variety of differently sized motors with various motor shafts.  
The flat design of the yellow cooling fan even enables utilisation for motors with relatively short shaft ends. The material of the cooling fan is soft so that individual blades can be additionally cut. The height of the cooling fan can be reduced by another 10% by processing the material. The cooling fan has a 3-point jaw chuck which guarantees secure, central acceptance of the bushes and smooth running. 12 cooling fans with large surfaces ensure perfect air volume flow.

---

**Application** The yellow cooling fan has been widely and successfully used for 30 years in the production of motors. Due to the two-sided bush installation, it is possible to adjust the distance between the motor housing and the cooler, and to individually adjust various makes of motors. Various standard bushes are available.  
If the standard borehole does not correspond, it is possible to turn a complete bush according to requirements. A possibly existing keyslot has to be removed

---

**Standards** RoHS compliant according to 2002/95 EC

---

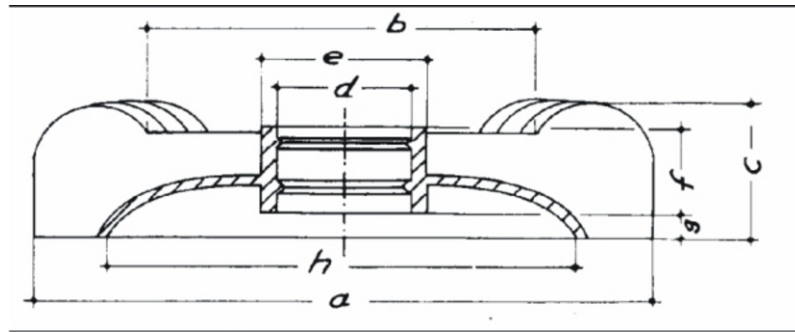
**Delivery format** See table for dimensions and type designations.

---

Synflex Elektro GmbH  
Auf den Kreuzen 24  
D-32825 Blomberg  
Tel.: +49 / 5235 / 968-0  
Fax: +49 / 5235 / 968-222  
E-Mail: info@synflex.de  
Internet: <http://www.synflex.de>



Drawing



The information on this data sheet is based on the information provided by our supplier. It is offered for service purposes and addressed to experts who use it at their own discretion and at their own risk. We do not guarantee results, or accept liability for the indicated specifications or for results obtained based on the specifications.

Updated 02/09



## Cooling Fan CS Series

### Technical data

		CS 71	CS 80	CS 90	CS 100	CS 112	CS 132	CS 160	CS 180
<b>Dimensions</b>									
a	mm	123	132	165	171	212	247	296	335
b	mm	75	79	95	99	124	134	172	214
c	mm	26	25	32	36	46	56	56	55
d	mm	27	27	42	42	56	56	69	69
e	mm	33	33	50	50	63	63	76	76
f	mm	15	15	18	18	24	24	29	29
g	mm	10	10	13	10	15	17	17	17
h	mm	99	104	131	147	174	203	244	276

		CS 71	CS 80	CS 90	CS 100	CS 112	CS 132	CS 160	CS 180
<b>Bushes - Type Designations</b>									
bore diameter	mm/inch	14	14	24	24	28	28	42	42
bore diameter	mm/inch	16	16	25	25	30	30	45	45
bore diameter	mm/inch	19	19	30	30	32	32	50	50
bore diameter	mm/inch	20	20	0	0	38	38	0	0
bore diameter	mm/inch	22	22	1/2"	1/2"	40	40	1 3/8"	1 3/8"
bore diameter	mm/inch	0	0	5/8"	5/8"	45	45	1 5/8"	1 5/8"
bore diameter	mm/inch	1/2"	1/2"	3/4"	3/4"	0	0	1 7/8"	1 7/8"
bore diameter	mm/inch	5/8"	5/8"	7/8"	7/8"				
bore diameter	mm/inch					7/8"	7/8"		
bore diameter	mm/inch					3/4"	3/4"		
bore diameter	mm/inch					1 1/8"	1 1/8"		
bore diameter	mm/inch					1 3/8"	1 3/8"		

The information on this data sheet is based on the information provided by our supplier. It is offered for service purposes and addressed to experts who use it at their own discretion and at their own risk. We do not guarantee results, or accept liability for the indicated specifications or for results obtained based on the specifications.